



GSP EXPERT

The following design improvements are incorporated on the GSP "EXPERT"

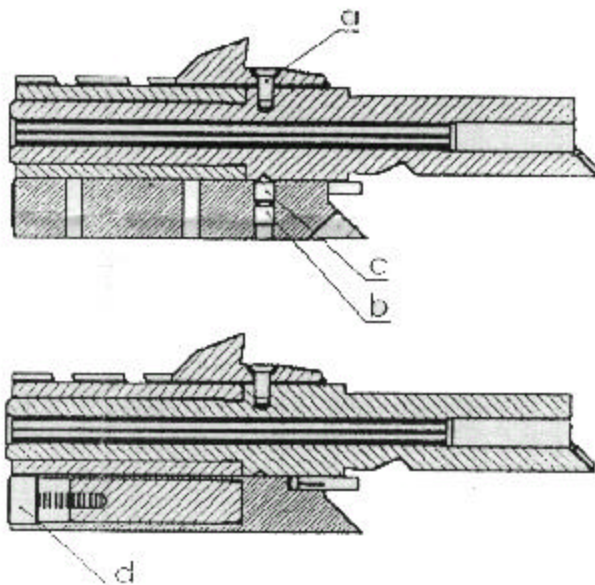
- Round barrel improves the precision
- Vibration-dampening plastic barrel jacket (only for GSP .22 l.r.)
- Recoil-dampening elements integrated into the barrel weight to reduce recoil
- Balance modified to reduced nose-heaviness
- Sights have been moved rearward
- Modified frame shape to allow more clearance for the fingers
- Bolt is silver nitrocarburized
- Barrel weight and magazine bottom in blue
- "Blue-Nature" laminated grips
- Standard edition large plastic case
- First edition aluminum case

Removal of the barrel weight is normally not necessary. The barrel assembly (including the barrel weight) can be removed as a unit for cleaning.

If the barrel weight needs to be removed: remove front sight screw (a), take the front sight off, remove screw (b) and loosen screw (c) by a few turns; the barrel weight can now be slid off. To re-mount the barrel weight, follow the steps in reverse order.

Make sure during the mounting procedure that the screw pin (c) is inserted into the indentation at the bottom of the barrel. The spring force of the absorber weights can be varied with the screws (d) (It has been optimally adjusted at the factory). Clockwise rotation of the screws increases the spring force. Counter-clockwise rotation decreases it.

All other functions should be done following the standard instruction manual



18 April 2001